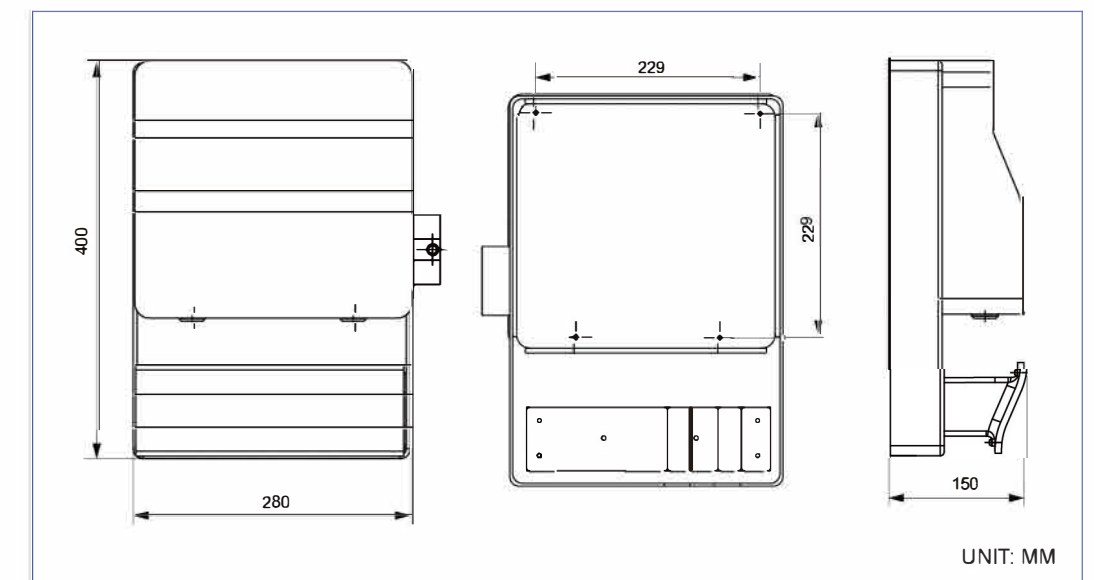




SPECIFICATIONS

Type	E3T2132	E3T2332	E3T2232	E3T2432
AC power:	1P+N+PE	3P+N+PE	1P+N+PE	3P+N+PE
Power supply Voltage:	AC230~ ± 10%	AC400~ ± 10%	AC230~ ± 10%	AC400~ ± 10%
Rated current:	10-32A			
Maximum power:	7.4kW	22kW	7.4kW	22kW
Frequency:	50-60Hz			
Cable length:	5m		Socket	
Sockets/plugs:	Type2	Type2		
Weight:	5.6Kg	6.8Kg	3.45Kg	3.7Kg
IP grade:	IP55			
temperature:	-25°C ~ 40°C			
Cooling mode:	cooling mode			
Shell color	white/black			
Special function	RCM/DLB/RFID (optional)			
Installation	surface			

DIMENSIONS



tePOWER

CHNT



EVERSURE[®]